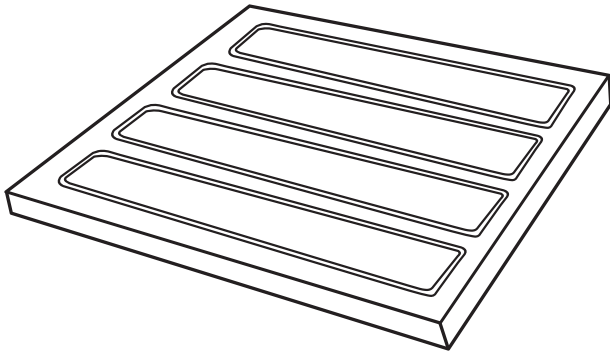


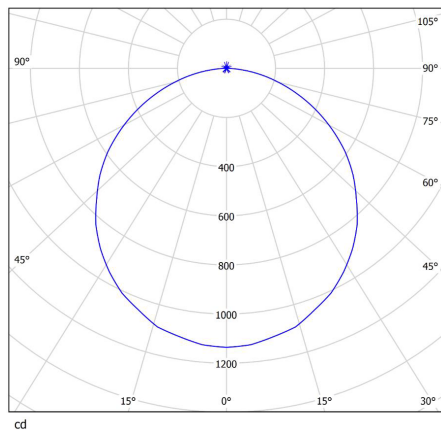
LED GRILL PANEL LIGHT - SURFACE TYPE



Topex innovative 600 x 600 Backlit surface type luminaires provide the opportunity to transform general lighting into something special, a solution that combines efficient performance with ultra-smooth styling. Illuminated, the panels deliver exceptional uniform light.

Topex with latest backlit technology platform, it provides uniform, comfortable, good quality of light and significant energy as well as maintenance savings.

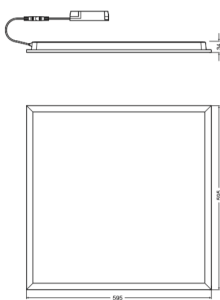
Light Distribution Curve



Features :-

- Latest backlit LED technology platform
- Integrated heat resistance lens for uniform light distribution, reduce product height to only 34mm
- Available in standard sizes: 600x600mm
- High color rendering: CRI > 70
- High power factor: PF>0.5
- Long 25,000 hr lifetime reduces maintenance costs
- Flicker free driver
- EMC suppression circuit in driver
- Sturdy SPCC housing
- Seamless aluminum frame design
- Standard CCT: 3000K & 6500K
- Standard Lumen: 7700lm

Technical Drawing



Application Areas:

- Offices
- Retail shops
- Hospitals
- Public area



DIMENSION AND TECHNICAL DATA

MODEL	DESCRIPTION	VOLTAGE	POWER	CCT	A (mm)	B (mm)	C (mm)
HWPL96SS65	LED GRILL PANEL SURFACE TYPE	175-265V	96W	6500K	600	600	23
HWPL96SS30	LED GRILL PANEL SURFACE TYPE	175-265V	96W	3000K	600	600	23