

COMPANY SOLAR UP&DOWN DOWNLIGHT IN-GROUND BRICKLIGHT FLOODLIGHT BOLLARD BULKHEAD GARDEN URBAN CLASSIC URBAN MODERN POST LAMPS REFERENCES

# GLOBE 250 MODERN

SMALL SIZE



Ø 250 mm PMMA globe, complete with modern globe base made of shockproof resin material, UV-rays stabilized, rust and corrosion-free. Suitable for post top or wall installation. Supplied as optional with TÜV-CB certified, long-life and efficient LED lamps suitable for outdoor use. Insulation class II, protection rating IP 55.

*Globo Ø 250 mm in polimetilmetacrilato (PMMA) completo di base moderna realizzata in resina antiurto, stabilizzata ai raggi UV, inattaccabile da ruggine e corrosione. Idoneo per il montaggio a palo o a parete. Fornito anche completo di lampadine LED adatte ad uso in ambiente esterno, certificate TÜV-CB, di lunga durata ed elevata efficienza. Classe di isolamento II, grado di protezione IP55.*

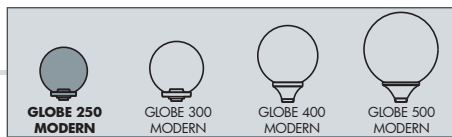
|                                 |                |                         |
|---------------------------------|----------------|-------------------------|
|                                 |                |                         |
| 6,5W<br>800 lm                  | 8,5W<br>920 lm | 11W<br>1200 lm          |
| 2700 K                          | 2700 K         | 4000 K 6500 K           |
| +80°C<br>-30°                   | 90% HUMIDITY   | VOLTAGE SURGE RESISTANT |
| <b>INDOOR &amp; OUTDOOR USE</b> |                |                         |



G26.114

|  |  |  |  |
|--|--|--|--|
|  |  |  |  |
|  |  |  |  |

MADE IN ITALY



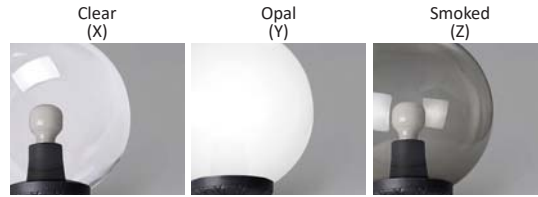
**GLOBE 250 MODERN - COMPONENTS**

IP55



Ø 250 mm **GLOBE** made of UV-rays stabilized polymethylmethacrylate (PMMA), one piece only. Available in clear, opal or smoked colour.

**GLOBO** Ø 250 mm in polimetilmetacrilato (PMMA), resistente all'ingiallimento ed ai raggi UV, realizzato in un unico pezzo. Disponibile nei colori trasparente, bianco o fumé.



**GLOBE BASE** with modern design, made of shockproof resin material, UV-rays stabilized, rust and corrosion-free. Supplied complete with E27 lampholder.

**REGGIBOCCIA** con disegno moderno realizzato in resina antiurto, stabilizzato ai raggi UV, inattaccabile da ruggine e corrosione. Fornito completo di portalamпада E27.

**GLOBE 250 MODERN**

G26.B26 \*



**Dimensions and weight**

Height: 260 mm  
Diameter: 250 mm  
Weight: 0,8 Kg

**Moulded colours:**

Black White

**Diffuser PMMA:**

Clear Opal Smoked

**E27 FILAMENT**



- Perfect **MATCHING WITH CLASSIC LANTERNS.**
- **SUITABLE FOR OUTDOOR USE:** 100-240V driver.
- **360°OMNIDIRECTIONAL LIGHT.**
- **HIGH EFFICIENCY:** 90% ENERGY SAVING.

**E27 CCT SET(\*)**



- **A60 CCT SETTABLE:** 2700K/4000K/6500K.
- **SUITABLE FOR OUTDOOR USE:** 100-240V driver.
- **EYE COMFORT** opal glass.
- **HIGH EFFICIENCY:** >85% ENERGY SAVING.

100 - 240 V

\*ADD. SUFFIX

| suitable lamps:  |       | E27                 |                            | .E27 |
|------------------|-------|---------------------|----------------------------|------|
| CFL-LED          |       | lampholder only     |                            |      |
| LAMP             | POWER | LUMINOUS FLUX UP TO | COLOUR TEMP.               |      |
| FILAMENT LED E27 | 6,5W  | 800 lm              | 2700 K                     | .F1R |
| CCT SET LED E27  | 8,5 W | 920 lm              | 6500 K<br>4000 K<br>2700 K | .V1K |
| CCT SET LED E27  | 11 W  | 1200 lm             | 6500 K<br>4000 K<br>2700 K | .T1K |

6,5W filament = 60W incandescent  
8,5W CCT = 75W incandescent  
11W CCT = 75W incandescent

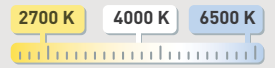
**SAVE up to 89%**

**LED LAMPS**



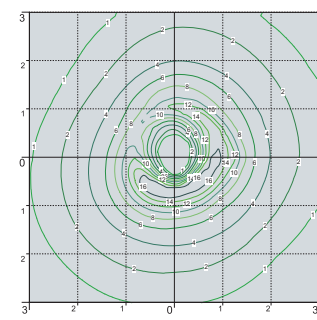
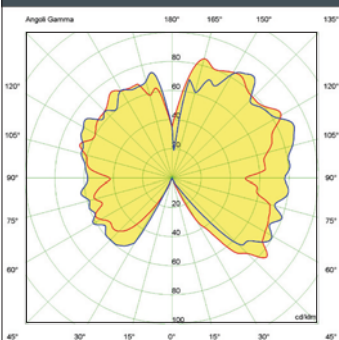
Comply with: EU2019/2015  
EU2019/2020  
Technical details on page 596.

**CCT SETTABLE LED LAMP(\*)**



CCT switch settable in three different positions, to select the desired Kelvin temperature (2700K/4000K/6500K) and get a customized ambiance.

**PHOTOMETRIC DATA SAMPLE**



**GLOBE 250 MODERN** clear with Fumagalli Filament Led Lamp 6,5W.

POST height 1mt  
6x6mt area: average 4 lux

The photometric data for all the versions are available upon request or on our website.

\* ADD THESE SUFFIXES TO THE REFERENCES MENTIONED IN THE CATALOGUE

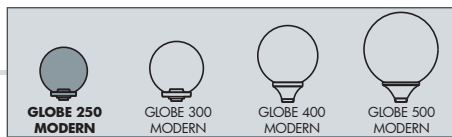


# GLOBE 250 MODERN

SMALL SIZE



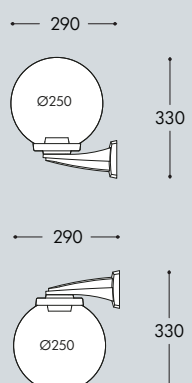
MADE IN ITALY



**NARDO /G250**

|                       |             |
|-----------------------|-------------|
| <b>E27</b> lampholder | G26.240.E27 |
| <b>6,5W</b> filament  | G26.240.F1R |
| <b>8,5W</b> CCT set   | G26.240.V1K |
| <b>11W</b> CCT set    | G26.240.T1K |

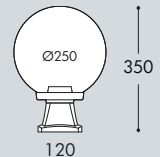
Pcs 36  
Kg 32,9  
mc 0,829



**DISMA /G250**

|                       |             |
|-----------------------|-------------|
| <b>E27</b> lampholder | G26.114.E27 |
| <b>6,5W</b> filament  | G26.114.F1R |
| <b>8,5W</b> CCT set   | G26.114.V1K |
| <b>11W</b> CCT set    | G26.114.T1K |

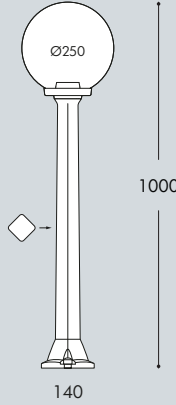
Pcs 36  
Kg 36,5  
mc 0,829



**GIAFFA /G250**

|                       |                   |
|-----------------------|-------------------|
| <b>E27</b> lampholder | G26.242.E27 resin |
| <b>6,5W</b> filament  | G26.242.F1R resin |
| <b>8,5W</b> CCT set   | G26.242.V1K resin |
| <b>11W</b> CCT set    | G26.242.T1K resin |

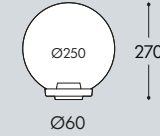
Pcs 2  
Kg 4  
mc 0,078



**GLOBE 250 MODERN**

G26.B26.E27

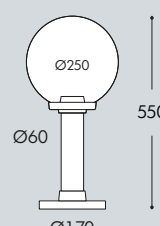
Pcs 2  
Kg 1,6  
mc 0,025



**ARGO 300/G250** \*

|                       |                   |
|-----------------------|-------------------|
| <b>E27</b> lampholder | G26.255.E27 resin |
| <b>6,5W</b> filament  | G26.255.F1R resin |
| <b>8,5W</b> CCT set   | G26.255.V1K resin |
| <b>11W</b> CCT set    | G26.255.T1K resin |

Pcs 2  
Kg 4,3  
mc 0,061

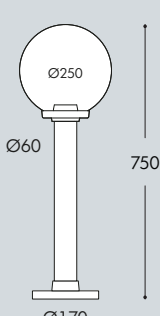


\*available colour: black

**ARGO 500/G250** \*

|                       |                   |
|-----------------------|-------------------|
| <b>E27</b> lampholder | G26.256.E27 resin |
| <b>6,5W</b> filament  | G26.256.F1R resin |
| <b>8,5W</b> CCT set   | G26.256.V1K resin |
| <b>11W</b> CCT set    | G26.256.T1K resin |

Pcs 2  
Kg 5  
mc 0,070

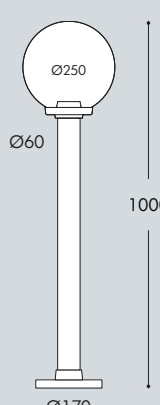


\*available colour: black

**ARGO 800/G250** \*

|                       |                   |
|-----------------------|-------------------|
| <b>E27</b> lampholder | G26.257.E27 resin |
| <b>6,5W</b> filament  | G26.257.F1R resin |
| <b>8,5W</b> CCT set   | G26.257.V1K resin |
| <b>11W</b> CCT set    | G26.257.T1K resin |

Pcs 2  
Kg 6,1  
mc 0,093

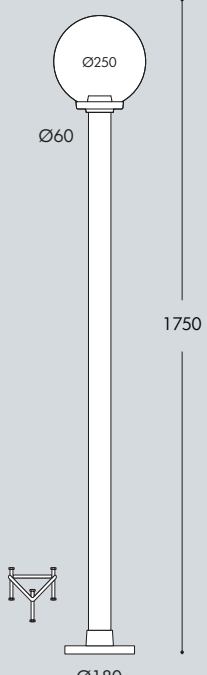


\*available colour: black

**FEBO 1500/G250** \*

|                       |             |
|-----------------------|-------------|
| <b>E27</b> lampholder | G26.263.E27 |
| <b>6,5W</b> filament  | G26.263.F1R |
| <b>8,5W</b> CCT set   | G26.263.V1K |
| <b>11W</b> CCT set    | G26.263.T1K |

Pcs 2  
Kg 11,4  
mc 0,173



\*available colour: black