

COMPANY SOLAR UP&DOWN DOWNLIGHT IN-GROUND BRICKLIGHT FLOODLIGHT BOLLARD BULKHEAD GARDEN URBAN CLASSIC URBAN MODERN POST LAMPS REFERENCES

LUCIA RANGE

ROUND



Round bulkhead lamp with ring, eyelid or guard cover. Made of shockproof resin material, UV-rays stabilized, rust and corrosion-free. Suitable for ceiling, wall and post installation also with bracket angled at 35°. Supplied as option with coloured backlit base. **Kelvin settable GX53 LED** or **E27** version available. Insulation class II, Protection rating IP66.

*Plafoniera circolare con cover ad anello, a palpebra o a manubrio. Realizzata in resina antiurto stabilizzata ai raggi UV, inattaccabile da ruggine e corrosione. Idonea per il montaggio a parete, a soffitto e a palo anche con braccio angolato a 35°. Disponibile anche con base per retroilluminazione colorata. Fornita nella versione a **LED GX53 con Kelvin impostabile** o **E27**. Classe di isolamento II, grado di protezione IP66.*



1R3.000.0R1

CCT SETTABLE

2700 K 4000 K 6500 K

SDCM <6

CE **CB** **UV** **CLASS II**

IECEE CB SCHEME UV-TREATED DOUBLE INSULATION

RECYCLABLE ANTI-SHOCK TEMPERATURE

PUBLIC RESIDENTIAL INDOOR OUTDOOR

WALL CEILING





LUCIA COMPONENTS

IP 66



COVER made of shockproof resin material, UV-rays stabilized. Ring, eyelid and grid versions available.

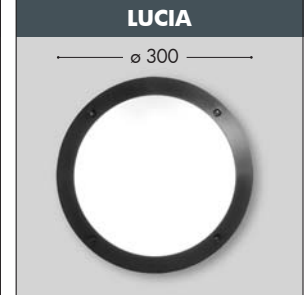
COVER in resina antiurto stabilizzata ai raggi UV, disponibile nella versione ad anello, a palpebra e a griglia.

Opal **DIFFUSER** made of UV-rays stabilized polymethylmethacrylate (PMMA), with silicone rubber gasket to ensure high protection against external agents.

DIFFUSORE opale realizzato in polimetilmetacrilato (PMMA) stabilizzato ai raggi UV. Completo di guarnizione in gomma siliconica per garantire un alto livello di protezione contro gli agenti esterni.

BASE made of shockproof resin material, provided with E27 or GX53 lampholder. Available in different backlit colours to create a coloured effect on wall and ceilings.

BASE realizzata in resina antiurto. Fornita completa di portalampada E27 o GX53. Disponibile in diversi colori per creare una retroilluminazione colorata su pareti e soffitti.



Dimensions and weight
Diameter: \varnothing 300 mm
Depth: 90 mm
Weight: 1 Kg
Moulded colours:
 Black White Grey
Diffuser PMMA:
 Opal

LED LAMPS

LVD EMC ERP

Comply with: EU2019/2015
EU2019/2020
Technical details on page 596.



Bulkhead supplied **fully pre-wired** and complete with TÜV-CB certified, long-life, and **Kelvin settable GX53 LED lamp included**. Different wattages available.

- **COST SAVING:** long-life and efficient LED light sources.
- **BUILT-IN DRIVER:** Quick and easy lamp replacement for a very simple maintenance after installation.

100 - 240 V

LAMP	POWER	LUMINOUS FLUX (Φ TOTAL) UP TO	COLOUR TEMP.	*ADD. SUFFIX
	7,2 W	920 lm	6500 K	.A1K
			4000 K	
			2700 K	
11,3 W	1510 lm	6500 K	.B1K	
		4000 K		
		2700 K		
17 W	2350 lm	6500 K	.E1K	
		4000 K		
		2700 K		

7,2W
11,3W
17W = 60W
100W
150W
incandescent

SAVE 88%



Bulkhead supplied **fully pre-wired** with **E27 lampholder**. White resin reflective plate designed to grant lampholder protection and isolation. Safe fixation of the electrical devices on the plate rear side.

Daylight and motion sensor available as an option. Sensor operating voltage: 220-240V (120V available on demand).

E27 (CFL -LED)	max 160 mm	.E27
E27 + SENSOR (CFL -LED)		.ES7

CCT SETTABLE LED LAMP

2700 K 4000 K 6500 K

CCT switch settable in three different positions, to select the desired Kelvin temperature (2700K/4000K/6500K) and get a customized ambiance.



Lucia bulkhead range can be mounted on a pole with or without an angled bracket. More detailed information at page 224.

* ADD THESE SUFFIXES TO THE REFERENCES MENTIONED IN THE CATALOGUE

LUCIA RANGE

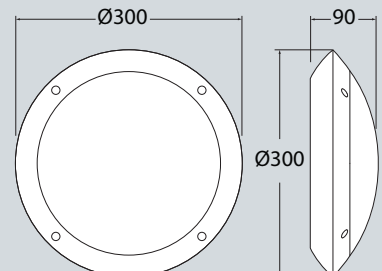
ROUND





LUCIA E27
1R3.000.E27

Pcs 16
Kg 16,8
mc 0,194



Ø300 90
Ø300

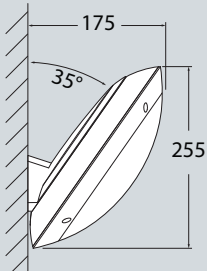
CCT SETTABLE GX53 LED LAMP INCLUDED
2700K/4000K/6500K

LUCIA GX53

7,2W	1R3.000.A1K
11,3W	1R3.000.B1K
17W	1R3.000.E1K

REMI/LUCIA E27
1R3.602.E27

Pcs 16
Kg 20
mc 0,194



175 35° 255

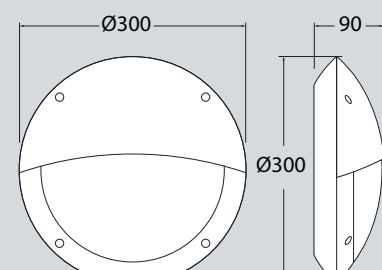
CCT SETTABLE GX53 LED LAMP INCLUDED
2700K/4000K/6500K

REMI/LUCIA GX53

7,2W	1R3.602.A1K
11,3W	1R3.602.B1K
17W	1R3.602.E1K

LUCIA-EL E27
2R3.000.E27

Pcs 16
Kg 16,8
mc 0,194



Ø300 90
Ø300

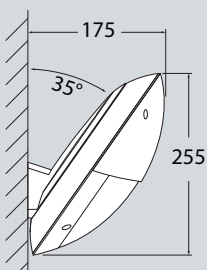
CCT SETTABLE GX53 LED LAMP INCLUDED
2700K/4000K/6500K

LUCIA-EL GX53

7,2W	2R3.000.A1K
11,3W	2R3.000.B1K
17W	2R3.000.E1K

REMI/LUCIA-EL E27
2R3.602.E27

Pcs 16
Kg 20
mc 0,194



175 35° 255

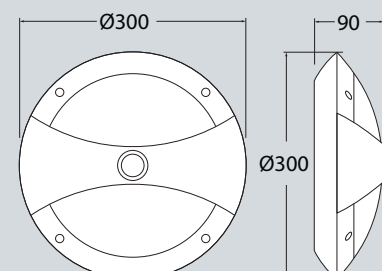
CCT SETTABLE GX53 LED LAMP INCLUDED
2700K/4000K/6500K

REMI/LUCIA-EL GX53

7,2W	2R3.602.A1K
11,3W	2R3.602.B1K
17W	2R3.602.E1K

LUCIA-GD E27
3R3.000.E27

Pcs 16
Kg 16,8
mc 0,194



Ø300 90
Ø300

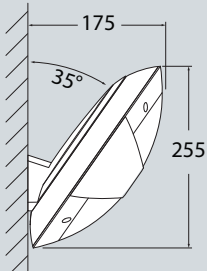
CCT SETTABLE GX53 LED LAMP INCLUDED
2700K/4000K/6500K

LUCIA-GD GX53

7,2W	3R3.000.A1K
11,3W	3R3.000.B1K
17W	3R3.000.E1K

REMI/LUCIA-GD E27
3R3.602.E27

Pcs 16
Kg 20
mc 0,194



175 35° 255

CCT SETTABLE GX53 LED LAMP INCLUDED
2700K/4000K/6500K

REMI/LUCIA-GD GX53

7,2W	3R3.602.A1K
11,3W	3R3.602.B1K
17W	3R3.602.E1K