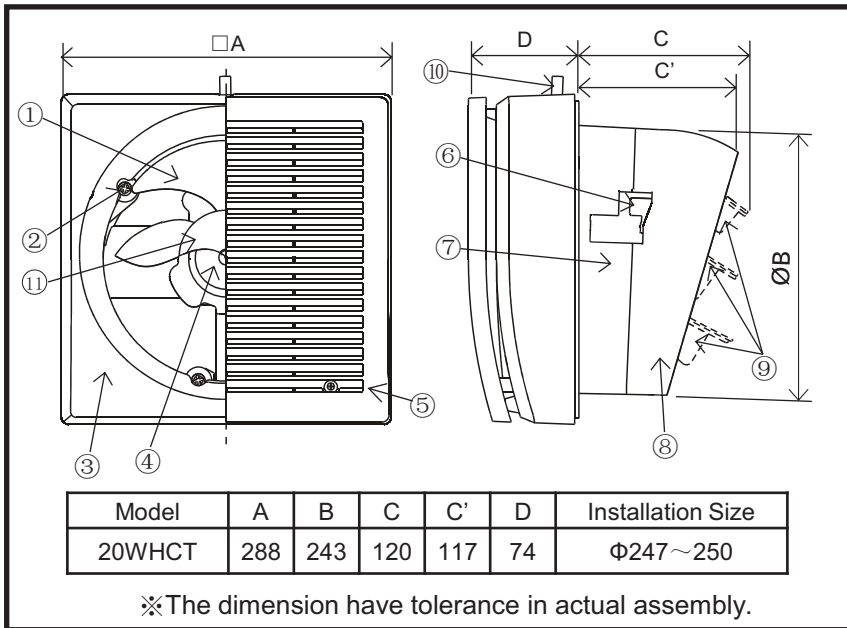





Specification Data Sheet

Unit: mm



No.	Part Name	Material
①	Blade	Plastic
②	Installation Screw	Stainless Steel
③	Orifice	Plastic
④	Motor	—
⑤	Louver	Plastic
⑥	Installation Plate	Stainless Steel
⑦	Frame	Plastic
⑧	Hood	Plastic
⑨	Shutter	Plastic
⑩	Power Cord	—
⑪	Spinner	Plastic

■ AMCA License



KDK Company, Division of PES and Panasonic Ecology Systems (Thailand) Co., Ltd. certify that the window mount series models shown herein are licensed to bear the AMCA seal. The ratings shown are based on the tests and procedures performed in accordance with AMCA Publication 211 and AMCA Publication 311 and comply with the requirements of the AMCA Certified Ratings Program.

■ Specification

Model	Voltage	Frequency	CFM/SONE at static pressure(ps-inches of H ₂ O)				RPM	Watts*	Watts**	
			inches of H ₂ O	0	0.05	0.1				0.15
20WHCT	220V	60Hz	CFM	250	188	127	78	1517	24.4	22
			Sones	3.0	3.9	4.5	4.2			
	240V	50Hz	CFM	230	147	103	53	1333	23.4	22
			Sones	2.8	3.8	3.4	4.0			

Performance certified is for installation type A: Free inlet , Free outlet.

Performance ratings include the effects of a shutter.

The speed (RPM) and Watts rating shown are at the static pressure of 0 inch of H₂O.

The sound ratings shown are loudness values in fan sones at 5 ft. (1.5m) in a hemispherical free field calculated per AMCA International Standard 301. Values shown are for installation type A: Free inlet hemispherical sone levels.

* the Watts rating is only for AMCA test method and it is at the static pressure of 0 inch of H₂O.

** the Watts rating is only for IEC test method and the AMCA Certified Ratings Seal does not apply to IEC test method watts.

Product			Model	
Window Mount Ventilating Fan			20WHCT (AMCA)	
Make Date	2015.01.06	Scale	Drawing No.	—
Modification Date			Modification No.	
KDK Company, Division of PES				