

# ROBY RANGE

SMALL SIZE



MADE IN ITALY

6,5W 800 lm 2700 K	8,5W 920 lm 2700 K	11W 1200 lm 4000 K	NEW 11W 1200 lm 6500 K
--------------------------	--------------------------	--------------------------	---------------------------------

More details at page 191



**NEW**  
GREY COLOUR  
AVAILABLE

T20.240



SMALL SIZE

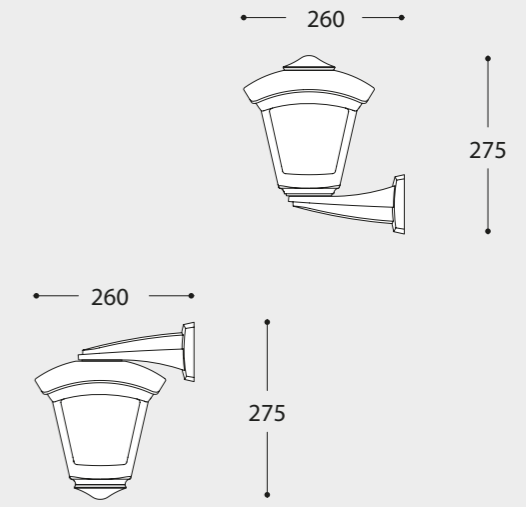
## ROBY RANGE

AVAILABLE COLORS		E27 CCT LED VERSION	E27 FILAMENT LED VERSION	E27 VERSION
RESIN BODY	DIFFUSER	8,5W 920 lm 100-240V 50/60 Hz 2700K/4000K/6500K	6,5W 800 lm 100-240V 50/60 Hz 2700K	
BLACK (A)	CLEAR (X)	75W INCANDESCENT	60W INCANDESCENT	
GREY (L)	OPAL (Y)			
WHITE (W)				

### NARDO/ROBY



6,5W 2700K FILAMENT	T20.240.F1R
8,5W CCT SET	T20.240.V1K
E27	T20.240.E27

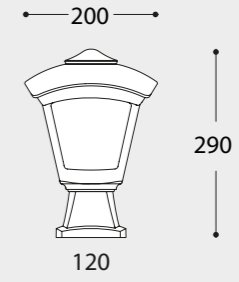


Master box: 18pcs

### DISMA/ROBY



6,5W 2700K FILAMENT	T20.114.F1R
8,5W CCT SET	T20.114.V1K
E27	T20.114.E27



Master box: 18 pcs

10	REVIVAL
28	GARDEN SMALL
44	GARDEN MEDIUM
64	GARDEN LARGE
80	HALF LANTERN
82	BOLLARD
88	BOLLARD
108	DOWNLIGHT
116	UP&DOWN
128	FLOODLIGHT
138	IN-GROUND
144	BRICKLIGHT
154	BULKHEAD
172	POST
180	SOLAR MODERN
188	SOLAR CLASSIC
190	LAMPS



# ROBY RANGE

SMALL SIZE



MADE IN ITALY

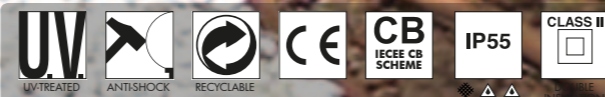
**NEW**  
GREY COLOUR  
AVAILABLE



T20.242

6,5W 800 lm 2700 K	8,5W 920 lm 2700 K	11W 1200 lm 4000 K / 6500 K

More details at page 191



SMALL SIZE

## ROBY RANGE

AVAILABLE COLORS	
RESIN BODY	DIFFUSER
BLACK (A) GREY (L) <b>NEW COLOUR</b> WHITE (W)	CLEAR (X) OPAL (Y)

E27 CCT LED VERSION
 <b>8,5W</b> <b>920 lm</b> 100-240V 50/60 Hz 2700K/4000K/6500K CCT SET = 75W INCANDESCENT

E27 FILAMENT LED VERSION
 <b>6,5W</b> <b>800 lm</b> 100-240V 50/60 Hz 2700K = 60W INCANDESCENT

E27 VERSION

### GIAFFA/ROBY

**6,5W 2700K** FILAMENT T20.242.F1R

**8,5W CCT SET** T20.242.V1K



**NEW**

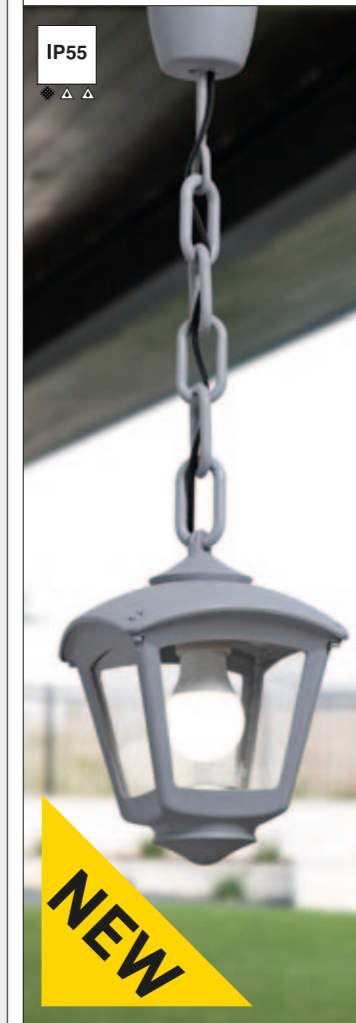
**LED LAMP INCLUDED**

### SICAR/ROBY

**6,5W 2700K** FILAMENT T20.125.F1R

**8,5W CCT SET** T20.125.V1K

E27 T20.125.E27



**NEW**

Master box: 18 pcs

- 10 REVIVAL
- 28 GARDEN SMALL
- 44 GARDEN MEDIUM
- 64 GARDEN LARGE
- 80 HALF LANTERN
- 82 BOLLARD
- 88 BOLLARD
- 108 DOWNLIGHT
- 116 UP&DOWN
- 128 FLOODLIGHT
- 138 IN-GROUND
- 144 BRICKLIGHT
- 154 BULKHEAD
- 172 POST
- 180 SOLAR MODERN
- 188 SOLAR CLASSIC
- 190 LAMPS